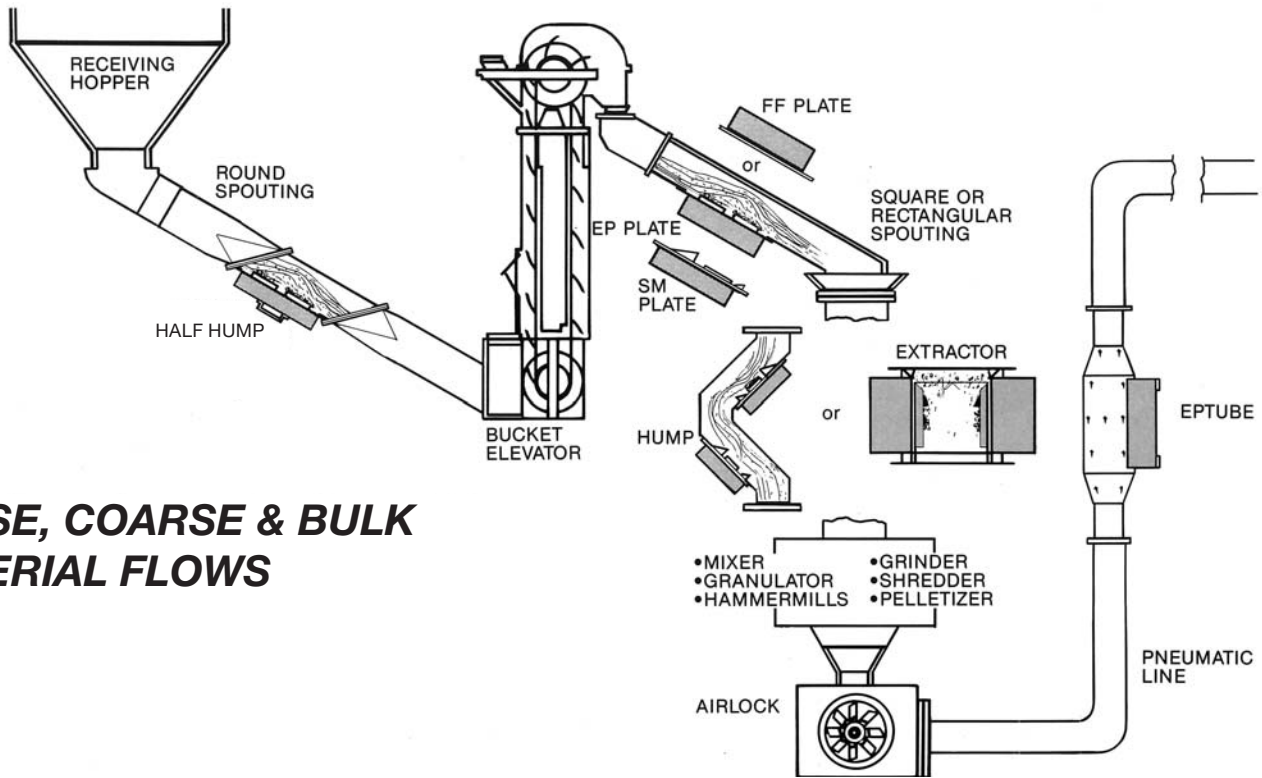
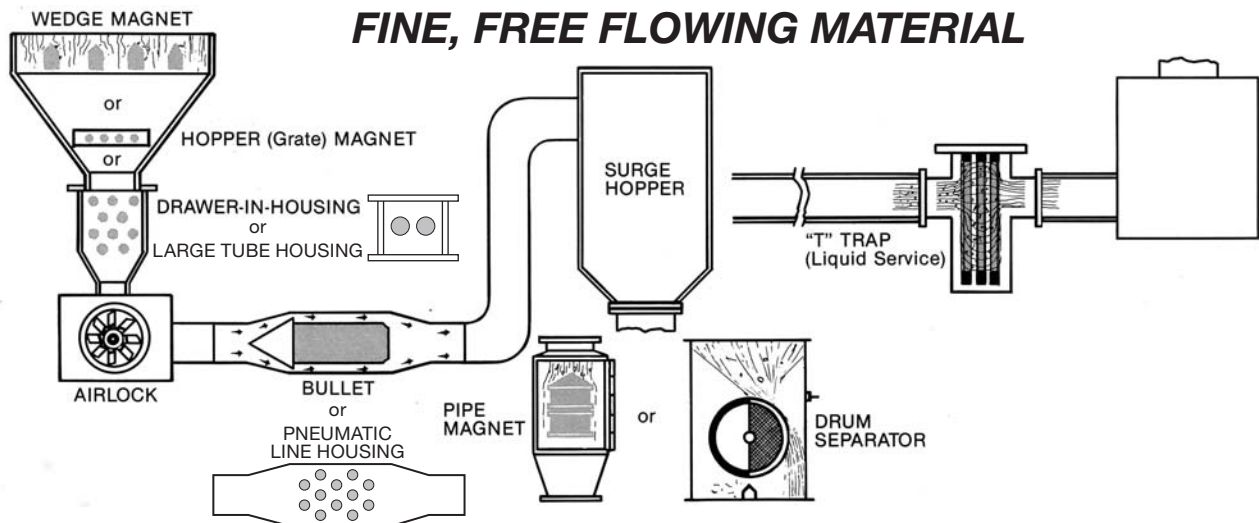




INDUSTRIAL MAGNETICS, INC. MAGNET LOCATION & SELECTION GUIDE



FINE, FREE FLOWING MATERIAL



BELT CONVEYED PRODUCT

